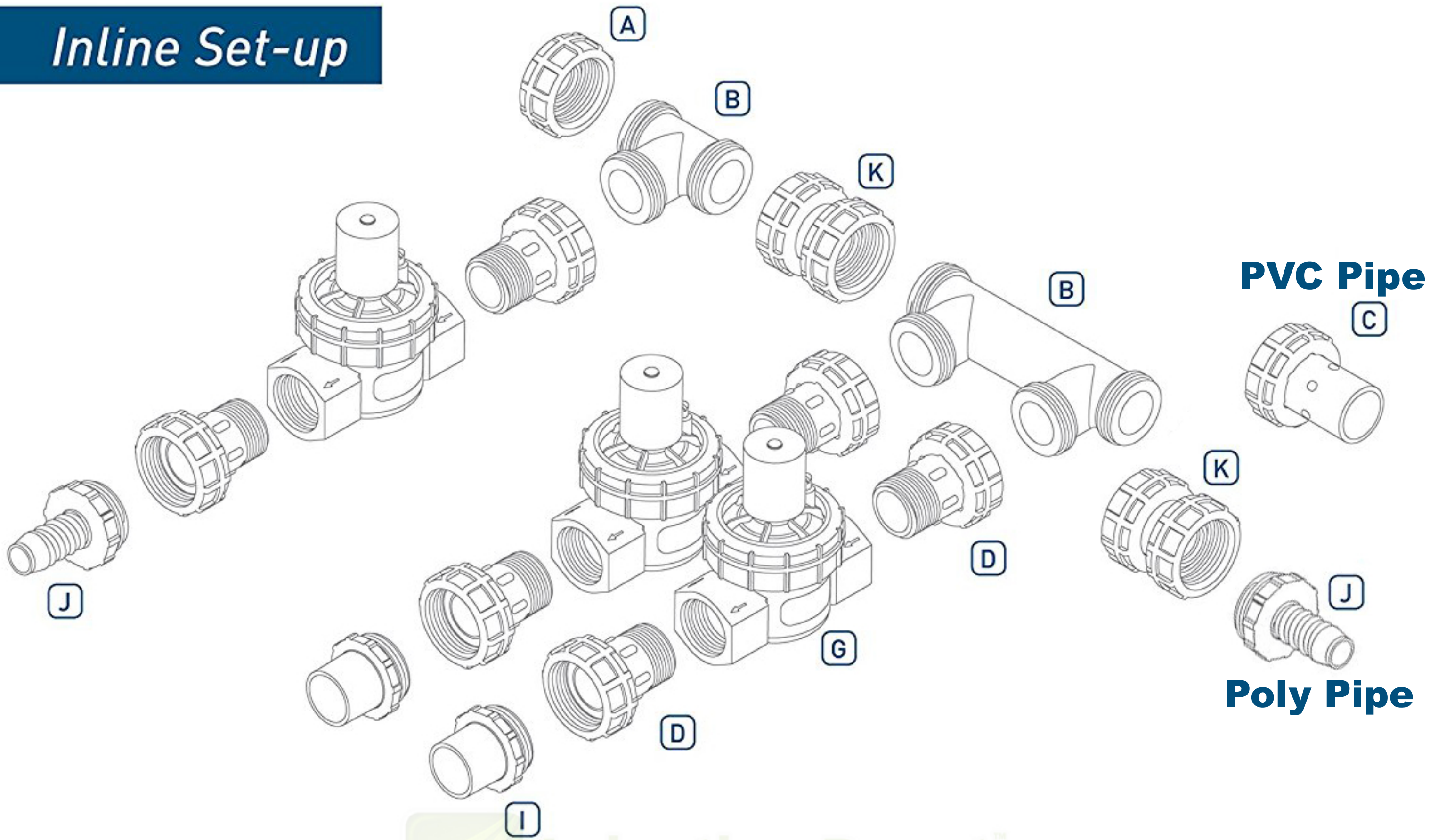




Inline Set-up



- A** End Cap
(57197)
- B** 1, 2, or 3 Port Manifold
(57181, 57182, 57183)
- C** PVC Swivel Adapter
(57202)
- D** 1" Swivel Adapters
(57199)
- F** 3/4" or 1" Transition Adapter
(57187, 57198)

- G** 1" Female Thread Valve
(57101, 57461, 57020)
- H** 3/4" or 1" Anti-Siphon Valve
(57623, 57624, 57626)
- I** PVC Transition Adapter
(57191)
- J** 3/4" or 1" Poly Adapter
(57188, 57189)
- K** Double Swivel Union
(57184)

