

HRC 100

Rain/Freeze Sensors

Features

- Rain gutter mounting bracket is equipped with a tool free bolt system that is quick and intuitive to install
- Adjustable moisture activation
- Uses industry-standard hygroscopic discs
- Freeze sensor activates at 37°F or 3°C
- Universal 2 wire system for use with most brands
- Normal open & normal close 3A@24VAC
- 100-RF manual override deactivates the wireless sensors during irrigation system maintenance

Specifications

- Rain sensitivity: adjustable nominal 1/8"-1" (3-25mm)
- Freeze sensitivity: 37°F (2.7°C) +/- 1°F
- Operating temperature: 14°F to 140°F (-10°C to 60°C)
- Housing material: UV-resistant engineered polymer

RF Receiver

Specific Specifications

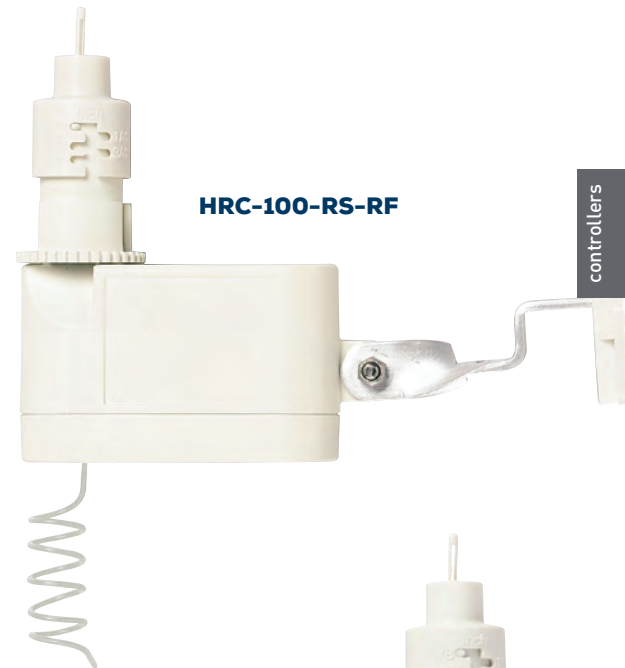
- Receiver power: 22-28VAC
- Transmitter power: 2 CR2032 3V cell

RF Receiver Dimensions

- Height: 3.75" (9.5 cm)
- Length: 1.1" (2.7 cm)

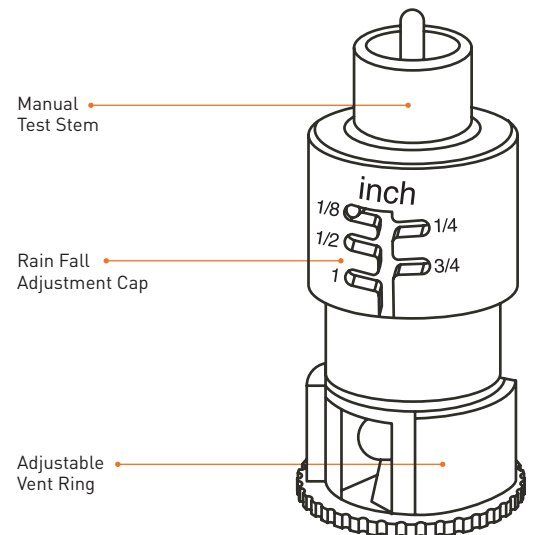
RF Transmitter Dimensions

- Height: 4" (10.1 cm)
- Length: 3.15" (8.0 cm)



controllers

Product Detail



How to Specify

	Model
HRC	Controller
	Series
100	Basic Sensor
	Type
RS	Rain/Freeze Sensor
	Connection
RF	Wireless
HW	Hard Wire

Models (SKU)

- HRC-100-RS-RF (04008)
- HRC-100-RS-HW (04007)