

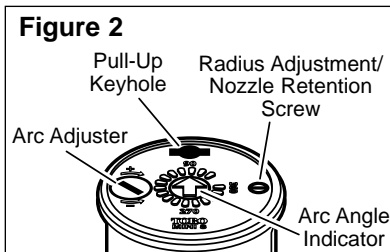
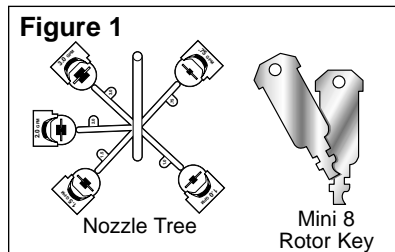
Mini 8, Gear Driven Sprinkler User's Guide

The Mini 8 Rotor is designed for residential and light commercial installations. It comes in three sizes, 4" pop up, 6" pop up and 12" pop up.

Nozzling Up The System

The 1.5 GPM nozzle comes pre-installed from the factory. A nozzle tree consisting of four additional nozzles is provided with each rotor (**Figure 1**). Please see the nozzle performance chart for flow rates. By using various combinations of nozzle flow rates, you can balance the sprinklers to achieve approximately the same precipitation rates.

Every case of Mini 8 product contains two Mini 8 rotor keys. The Mini 8 key is used to pull up the riser, to remove the nozzle, to reduce the radius and to adjust the arc (**Figure 2**).



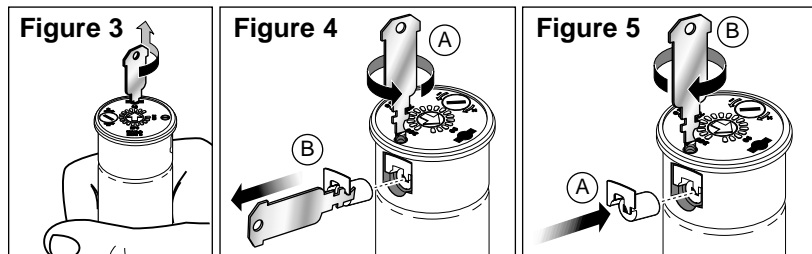
To Extract/Insert A Nozzle

Use the winged portion of the key to pull the riser up in order to access the nozzle orifice. Insert the key into the pull-up hole (**Figure 3**), turn it 90°, and pull up. Hold the riser in the pulled up position.

Using the end of the key, turn the radius adjustment screw counterclockwise until it clears the top of the nozzle. See **Figure 4A**.

Insert the key into the nozzle right side slot with the pointed end of the key facing upwards. Use the point to extract the nozzle out. See **Figure 4B**.

To install a nozzle, press the nozzle into the nozzle socket (**Figure 5A**). Turn the radius adjustment screw clockwise to its desired location ensuring that it is in a position to hold the nozzle in place even if radius reduction is not required (**Figure 5B**).



To Set The Arc

The Mini 8 rotor arc is pre-set from the factory at 90°.

The Mini 8 rotor has a fixed LEFT stop. To find the left stop position, rotate the nozzle turret clockwise (to the right) until it stops, then rotate the nozzle turret all the way back to the left.

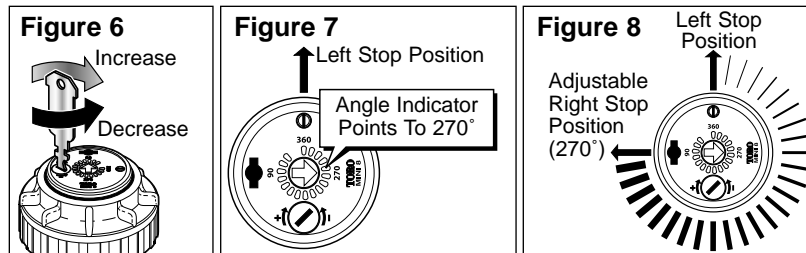
To increase the arc, insert the key into the arc adjuster shown in **Figure 6**. Hold the turret in place while turning the tool clockwise. Keep turning until the arc indicator arrow points to the desired arc angle.

As an example indicated in **Figure 7**, the arc is set to 270°. The sprinkler will then water from the left stop and rotate clockwise (see **Figure 8**) until 270°, the adjusted right stop, is reached. The sprinkler will then return back to the left stop and repeat the cycle.

To decrease the arc, insert the key into the arc adjuster. Hold the turret in place while turning the tool counterclockwise. Keep turning until the arrow points to the desired arc.

To adjust the arc while the rotor is running, turn the turret gently in the direction that it is spraying. Once the left stop has been located, follow the directions above to increase or decrease the arc.

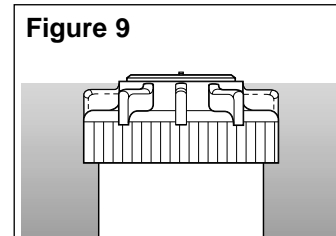
To line up the left stop with landscape features which define the left side of the irrigated arc, simply turn the housing cannister and point the left stop towards the desired direction. You may also pull the riser up with the key and rotate the LOWER portion of the riser until the left stop is at the desired position. **DO NOT rotate the TOP portion of the riser.**



Installation Tips

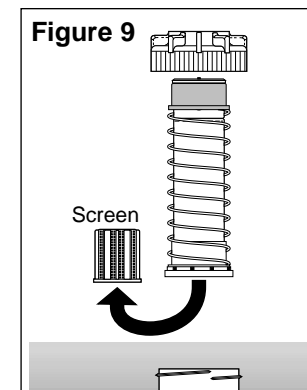
The Mini 8 rotor should be installed with the cap at the finished grade. It is not designed to be installed below grade. See **Figure 9**.

The radius adjustment screw can be used to reduce the radius throw by up to 25%. You should note that this does not reduce the flow of the nozzle.



Screen Maintenance

The screen can be accessed through the bottom of the riser. Remove the cap of the Mini 8 and lift the riser assembly out of the housing cannister. If plugged, the screen can be removed, cleaned, and re-inserted into the riser.



Mini 8 Nozzle Performance

Nozzle (Gallons)	Pressure (PSI)	Flow (GPM)	Radius (Feet)	Pressure (kPa)	Flow (L/M)	Flow (M ³ /H)	Radius (Meters)
0.75	30	0.8	19	207	3.03	0.2	5.8
	40	0.9	20	276	3.41	0.2	6.1
	50	1.2	21	345	4.54	0.3	6.4
1.0	30	1.1	22	207	4.16	0.2	6.7
	40	1.3	23	276	4.92	0.3	7.0
	50	1.5	24	345	5.68	0.3	7.3
1.5	30	1.2	26	207	4.54	0.3	7.9
	40	1.4	28	276	5.30	0.3	8.5
	50	1.6	30	345	6.06	0.4	9.1
2.0	30	1.4	30	207	5.30	0.3	9.1
	40	1.7	31	276	6.43	0.4	9.4
	50	2.0	32	345	7.57	0.5	9.8
3.0	30	2.3	33	207	8.71	0.5	10.1
	40	2.6	34	276	9.84	0.6	10.4
	50	3.0	35	345	11.36	0.7	10.7

For Product Inquiries:

The Toro Company
5825 Jasmine Street
Riverside, CA 92502-0489
Tel: (909) 688-9221
(800) 225-2839

